

Pulse counter

SI-62



Highlights

- price competitive counter
- heavy duty
- 6-digit totalizer

Applications

- general event counting

Mechanical data

Counting	adding without reset
Display	6 digit
Digit height	4 mm
Digit color	white on black
Housing	plastic black
Operating life	20 x 10 ⁶ pulses
Weight	ca. 60 g
Mounting versions	different

Electrical data

Operating voltage	6, 12, 24, 48, 110, 230 V AC ± 10% 6, 12, 24, 48, 110 V DC ± 10%
Power consumption	1,2 W at 6-110 V 4 W at 230 V AC
Pulse duration	50 ms
Pulse interval	50 ms
Max. counting speed	10 pulses/sec
Cycle duration factor	100% (max. 20 sec at 230 V AC)
Connection	wire leads ca. 120 mm

Ambient conditions

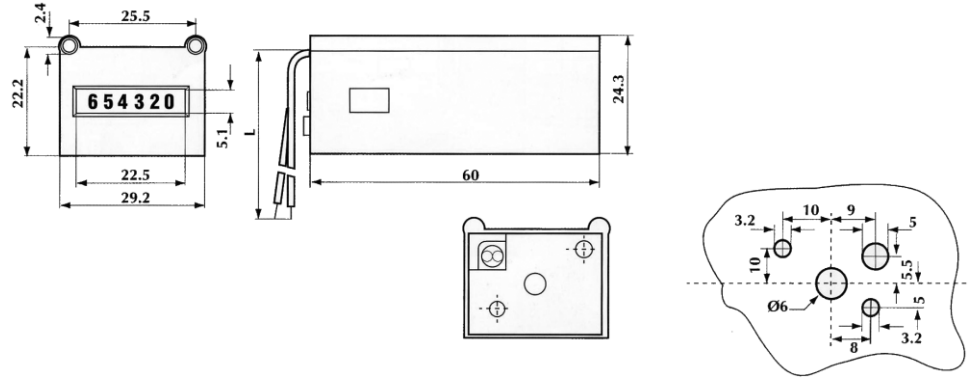
Operating temperature	-10 ⁰ C .. +55 ⁰ C	Protection	IP31
Storage temperature	-20 ⁰ C .. +70 ⁰ C	Relative humidity	max. 80% at +25 ⁰ C

Ordering

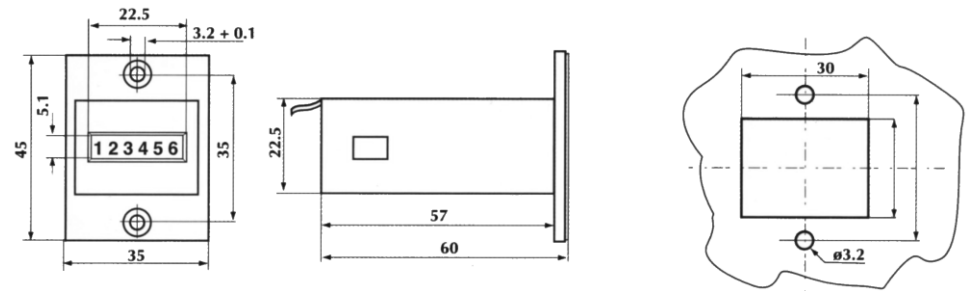
Model	Mounting version
SI-62.0	rear or front screw mount
SI-62.2	2-screw panel mount
SI-62.3	behind the panel mount
SI-62.4	base mount

*voltage to be specified

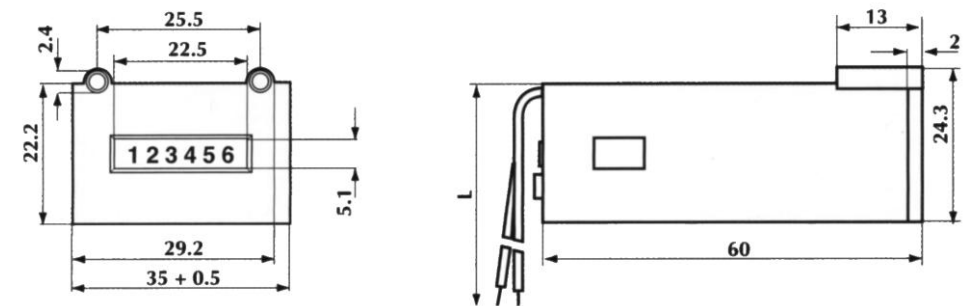
Pulse counter



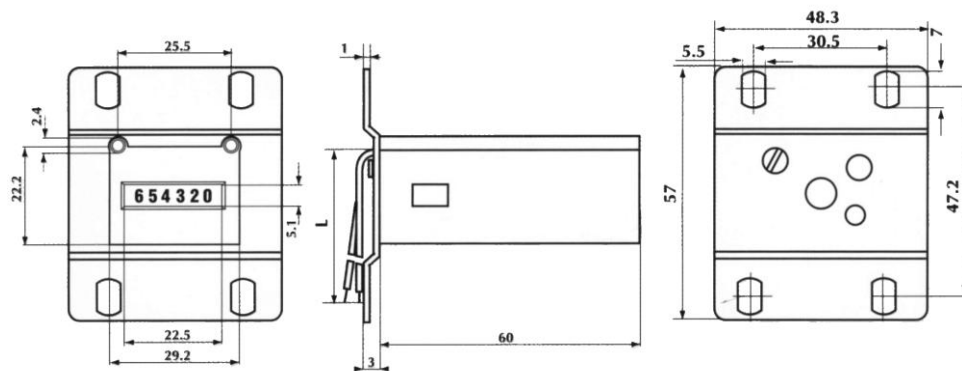
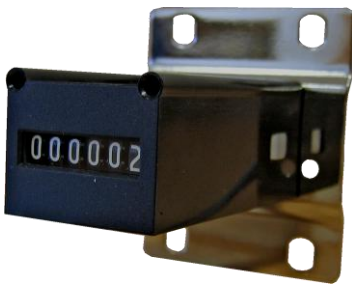
SI-62.0



SI-62.2



SI-62.3



SI-62.4