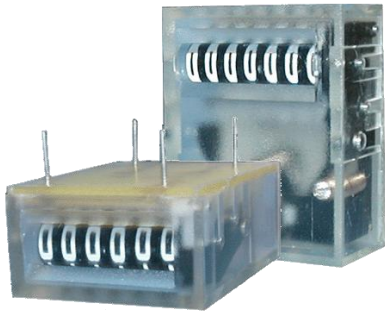


# Pulse counter

MC-703, MC-723



### Highlights

- price competitive counter
- 6 or 7 digit mini totalizer
- low power consumption
- small dimensions
- 

### Applications

- general event counting
- vending
- gaming
- kWh meters
- copiers
- fuel dispensers

Mechanical data		Electrical data	
Counting	adding without reset	Operating voltage	3V, 5V, 12V, 24V DC ± 10%
Display	6 or 7 digit	Power consumption	ca. 300 mW (3V and 5V) ca. 500 mW (12V and 24V)
Digit size	1,7x4 mm (6-digit) 1,2x4 mm (7-digit)	Pulse duration	50 ms
Digit color	white on black	Pulse interval	50 ms
Housing	plastic transparent	Max. counting speed	10 pulses/sec
Operating life	20 x 10 <sup>6</sup> pulses	Cycle duration factor	100%
Weight	ca. 10 g	Magnetic field resistance	≤ 100 kA/m
Mounting versions	PCB mount back screw mount snap fastener mount	Connection	flying leads ca. 140 mm or solder pins Ø 0,6 mm
Ambient conditions		Shock resistance	3500 m/s <sup>2</sup> (10-500 Hz) acc. to IEC 68-2-27
Operating temperature	-10 <sup>0</sup> C .. +60 <sup>0</sup> C	Protection	IP65 – mounting version A and B IP31 – mounting version C and D
Storage temperature	-20 <sup>0</sup> C .. +70 <sup>0</sup> C	Relative humidity	max. 80% at +25 <sup>0</sup> C
Vibration resistance	20 m/s <sup>2</sup> (10-500 Hz) acc. to IEC 68-2-6	Approvals	CE mark RoHS compliant

## Ordering

Model	Description
MC-703.xxA	front reading, 4 pins on the top, PCB mount
MC-703.xxB	top reading, 4 pins on the bottom, PCB mount
MC-703.xxC	front reading, 2 pins behind, back screw mount
MC-703.xxD	front reading, flying leads behind, back screw mount
MC-723.xxC	front reading, 2 pins behind, snap fastener mount
MC-723.xxD	front reading, flying leads behind, snap fastener mount

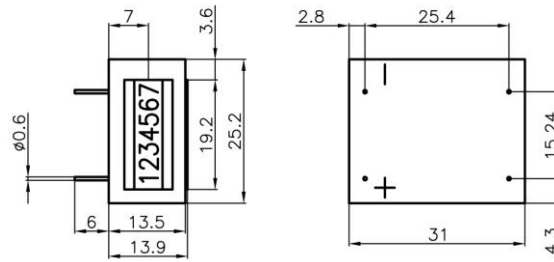
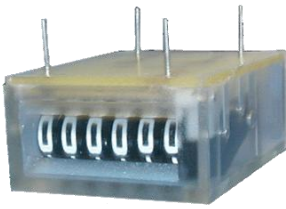
xx:

**60:** 6-digit

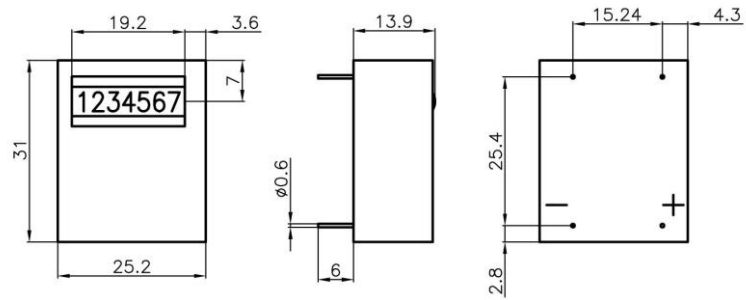
**70:** 7-digit

\*voltage to be specified

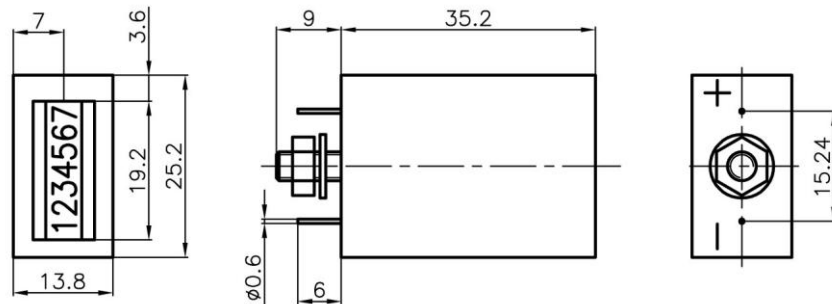
# Pulse counter



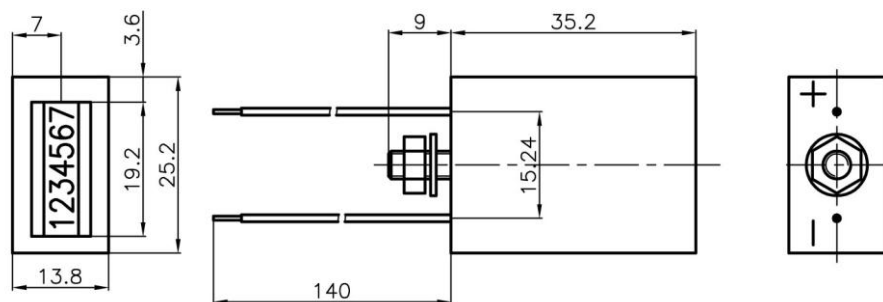
**MC-703.xxA**



**MC-703.xxB**

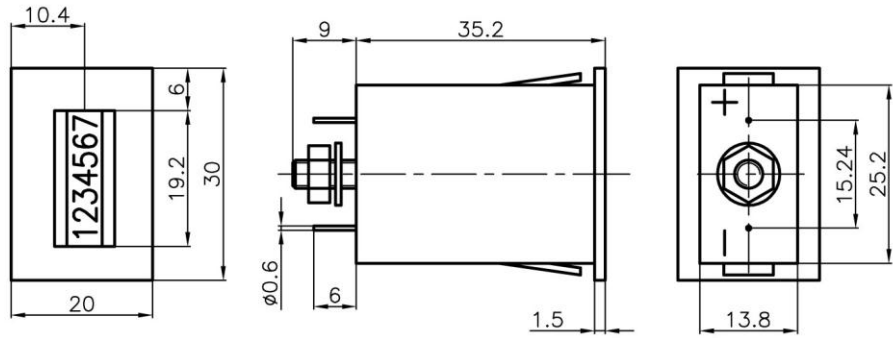


**MC-703.xxC**

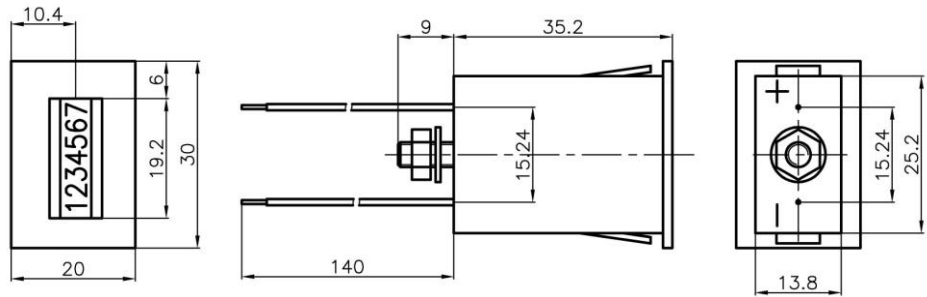


**MC 703.xxD**

# Pulse counter



MC-723.xxC



MC-723.xxD