

Hour meter

HK 47



Highlights

- price competitive meter
- excellent quality
- long lifetime
- all necessary approvals
- your branding available

Applications

- garden equipment
- farm equipment
- utility vehicles
- marine

Mechanical data

Front dimension: Ø 58 mm

Display AC: 5 integers, 2 decimals
DC: 6 integers, 1 decimal
AC indicator, without reset

Digit height 4 mm

Digit color integer: white on black
decimal: 50 Hz – red on black
60 Hz – red on white

Counting range AC: 99999,99 h, DC: 999999,9 h

Reading accuracy AC: 1/100 h (36 sec)
DC: 1/10 h (6 min)

Weight ca. 52 g

Housing color standard black

Bezels Ø 72 mm (for mtg. H)
Ø 80 mm (for mtg. C)

Mounting options A – aluminum clamp
C – anti-vibration boot & clamp Ø80 mm
H – 3-screw front mount Ø72 mm

Electrical data

Operating voltage 24, 48, 60, 110, 120, 220, 230, 240,
400 VAC ± 10%, 50 or 60 Hz

Current consumption AC: max. 8 mA
DC: max. 9 mA

Accuracy AC: ± 0,02 %
DC: ± 0,002 %

Connection flat pin 6,3x0,8 with screw
flat pin 6,3x0,8

Ambient conditions

Operating temperature AC: -25° C .. +80° C
DC: -20° C .. +70° C

Storage temperature AC: -40° C .. +80° C
DC: -20° C .. +70° C

Relative humidity max. 80% at +25° C

Protection IP65 front
IP00 terminals

Approvals CE Mark
UL E171200

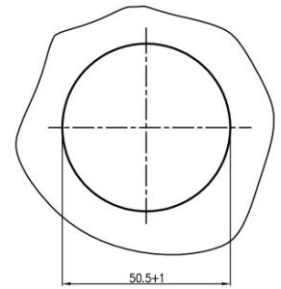
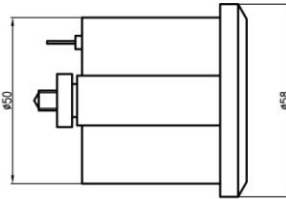
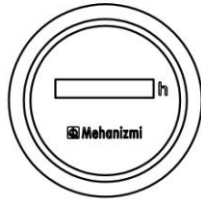
RoHS compliant

Ordering

HK 47 . x x x / x x x / x x

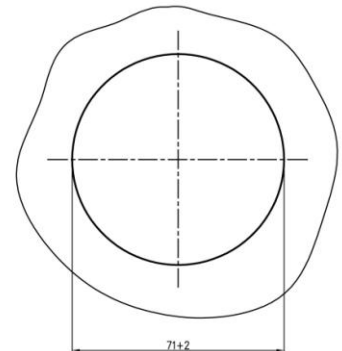
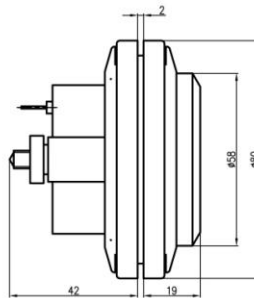
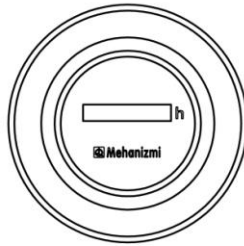
Mounting	Front dimension	Front glass	Front protection	Connection	Package	Voltage (specify)	Frequency
A – aluminum clamp	4 – Ø 58 mm	Ø – without	3 – IP65	1 – flat pin 6,3x0,8 with screw	P – single	24, 48, 60, 110, 120, 220, 230, 240, 400 VAC	50 Hz
C – anti-vibration boot & clamp Ø80 mm	5 – Ø 72 mm	S – with	4 – IP67	2 – flat pin 6,3x0,8	S – group	6-30, 10-80, 110, 220 VDC	60 Hz
H – 3-screw front mount Ø72 mm	6 – Ø 80 mm						

Hour meter



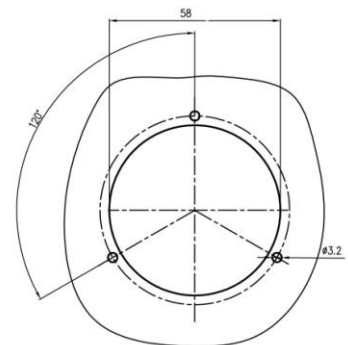
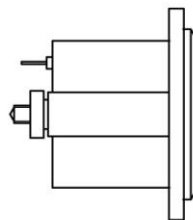
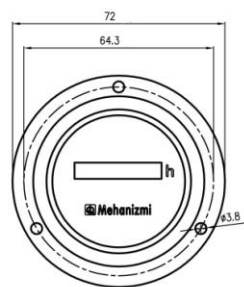
HK 47 – mounting A

Panel cut-out



HK 47 – mounting C

Panel cut-out



HK 47 – mounting H

Panel cut-out