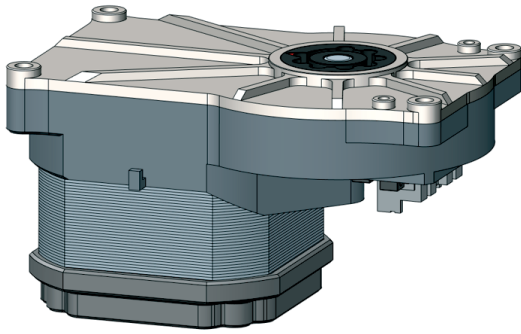




Precise High Speed Rotary Actuator

Product Highlights



Typical Applications

Automotive, Industrial, Automation

Fast and strong

Rotational speed: 300 RPM

Torque: 0.75 Nm

Accurate positioning

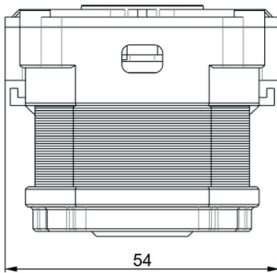
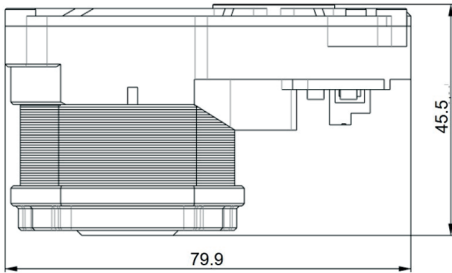
Full-step resolution: 0.36°

Positioning accuracy: $\pm 0.35^\circ$

Benefit

High Efficient Robust Design

Technical Data



Motor Type: 2 phase hybrid stepper motor

Weight: 275 g

Voltage Range: 9 ~ 48 V

Max. Current: 1.8 A

Temperature Range: $-40^\circ \sim +105^\circ\text{C}$

Torque (at 20°C , 12 V and 1.3 A): 0.75 Nm

Rot. Speed (at 20°C , 12 V and 1.3 A): 300 RPM

Hall sensor for closed loop operation

Torque-Speed Characteristic

