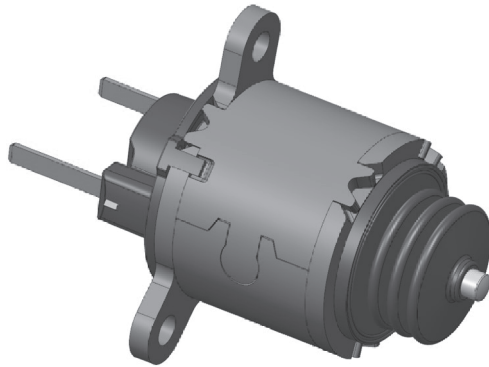




# Long Stroke Push Type Solenoid

## Product Highlights



### Typical Applications

Automotive, Industrial, Automation

### Performance

Small and strong with low holding electrical current consumption

### Innovative

Optimal magnetic surfaces for high pull-in force and high holding force, sealing function for MTF in range of  $-40^{\circ}\text{C}$  to  $+125^{\circ}\text{C}$

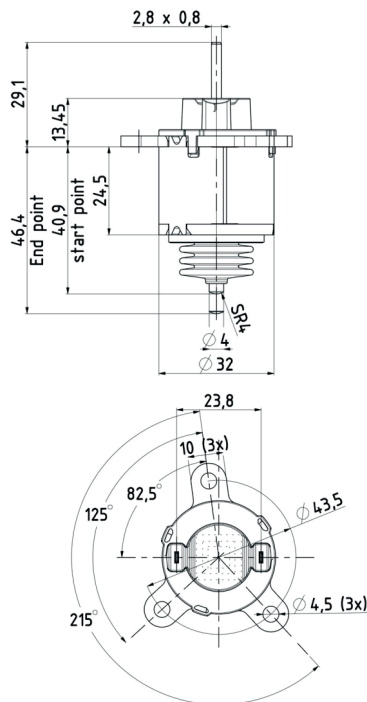
### High reliability

No maintenance, lifetime more than 500.000 actuations

### Benefit

High Performance in Harsh Environment, Chemical Resistance, Operational at 16g Vibration

## Technical Data



Solenoid type: Push Type

Dimensions:  $\text{Ø}32 \times 70 \text{ mm}$

Weight: 150 g

Voltage Range: 9 ~ 16 V

Pull-in Current: 7 A (max)

Holding Current: 3 A

Temperature Range:  $-40^{\circ} \sim +125^{\circ}\text{C}$

Actuation time (no load): 10 ms

Pull-in Force (at  $20^{\circ}\text{C}$  and 12 V): 5 N at 16g

Holding Force (at  $20^{\circ}\text{C}$  and 12 V): 40 N at 16g

Sealing function: max. 0,5 Bar (leakage < 1 mL/min)

## Force-Stroke Characteristic

