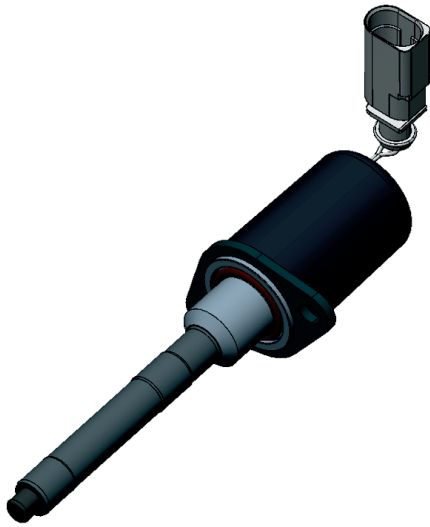


Long Stroke Pull Type Solenoid



Product Highlights



Typical Applications

Automotive, Industrial, Automation

Powerful

High Pull-in and Holding Force

Long Stroke

Stroke: 4.5 mm

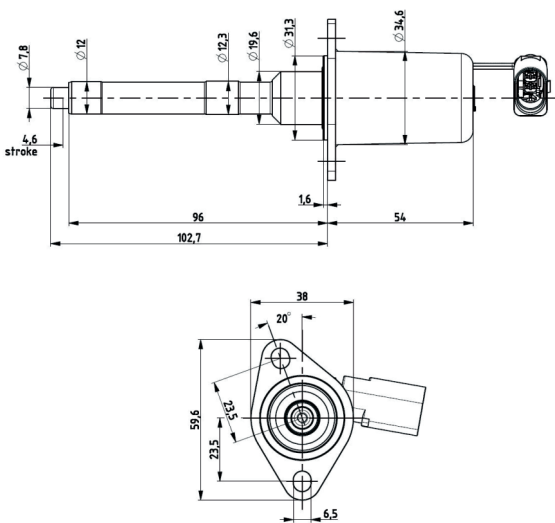
Robust

IP6K9 Protection, Vibration resistant up to 8g, Long Lifetime

Benefit

High Shear Load Capacity

Technical Data



Solenoid Type: Pull Type

Construction: Tubular

Dimensions: Ø35 x 54 mm (without plunger)

Weight: 400 g

Voltage Range: 9 ~ 16 V

Max. Current: 4 A

Temperature Range: -40° ~ +125°C

Pull-in Force (at 20°C and 12 V): 22 N

Holding Force (at 20°C and 12 V): 100 N

Lifetime Number of Actuations: 360.000

Force-Stroke Characteristic

