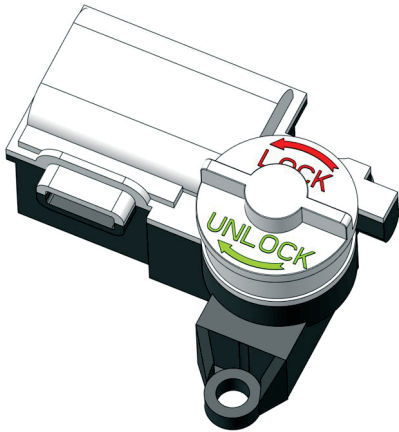


Product Highlights



Typical Applications

Automotive, Industrial, Automation

Small

Small Size: 56 x 47 x 32 mm

Low Weight: 70 g

Strong

Force: 100 N

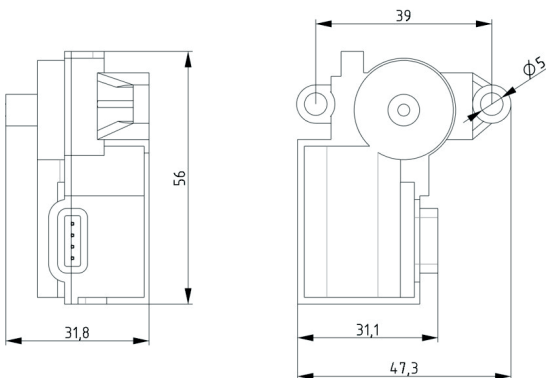
Robust

IP protection: IP69K

Benefit

High Force, High Shear Force

Technical Data



Motor Type: Brushed DC

Weight: 70 g

Voltage Range: 9 ~ 16 V

Stall Current: 2 A

Temperature Range: -40° ~ +90°C

Stroke: 8 mm (configurable)

Actuation force (at 12 V, 1 A, 23°C) Push / Pull: 100 N

Optional manual release lever

Actuation at Critical Conditions (90°C, 9V)

