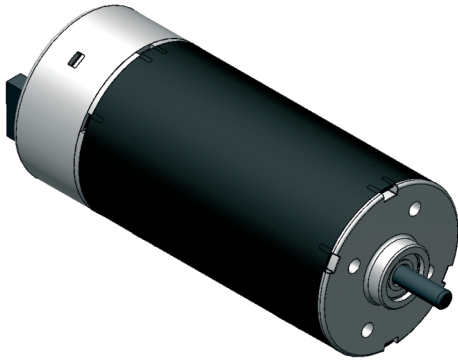


# High Torque Brushless DC Motor with Controller



## Product Highlights



### Typical Applications

Automotive, Medical, Power tools, Robotics, Automation

### Small and Strong

Torque Overboost: 440 mNm

Small Size: Ø29.2 x 65.7 mm, Low Weight: 160 g

### Innovative

Plug&Play: Motor with Integrated Controller, LIN Communication

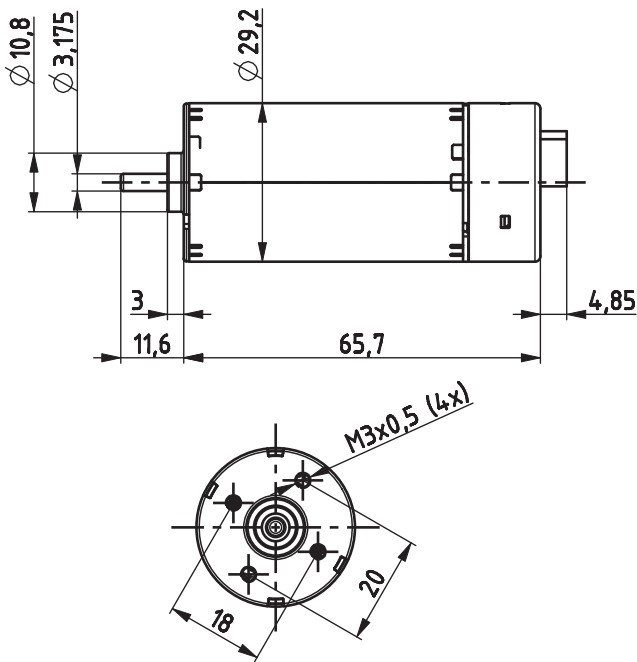
### Robust

No Maintenance, Long Lifetime, Efficient Heat Dissipation

### Benefit

Excellent Torque per Weight (Power Density), Full Speed Range Operation (0 to idle Speed), Speed and Torque Control

## Technical Data



Motor Type: Brushless DC Inrunner Motor

Dimensions: Ø29.2 x 65.7 mm

Weight: 160 g

Voltage Range: 9 ~ 16 V

Max. Current: 30 A

Temperature Range: -40° ~ +85°C

No Load Speed (at 20°C and 10 V): 4400 rpm

Torque (at 20°C and 10 V): 440 mNm

Efficiency (at 20°C and 10 V): 80 %

## Torque-Speed Characteristic

