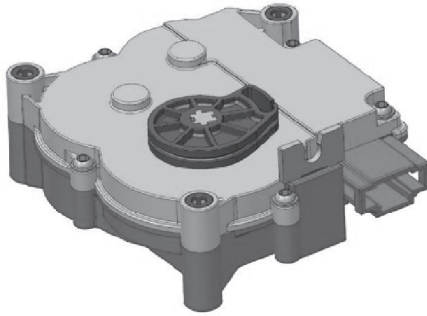




## Product Highlights



### Typical Applications

Automotive, Industrial, Automation

### Low noise

< 35 dB(A)

### Robust and strong

Torque: > 3 Nm, Low Weight: 210 g

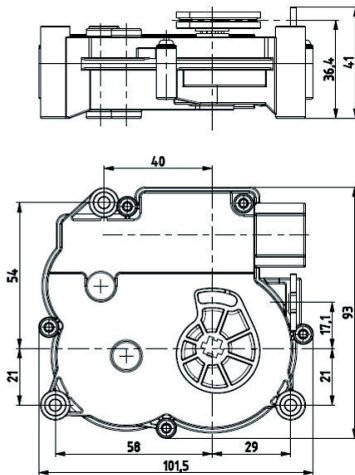
### Innovative

Symmetric design enables easy in-production assembly configuration, 8-stage Structure- and Air-borne noise reduction concept

### Benefit

Low Noise, Compact Design

## Technical Data



Dimensions: 101.5 x 93 x 41 mm

Weight: 210 g

Voltage Range: 9 ~ 16 V

Max. Current: < 6.9 A

Temperature Range: -40° ~ +85°C

Output Rotation: Up to 360°

Max. speed: 150°/s

Torque at Nominal Conditions: > 3 Nm

Communication: Direct

Noise: < 35 dB(A)

Protection: IP5K0

## Torque-Speed Characteristic

