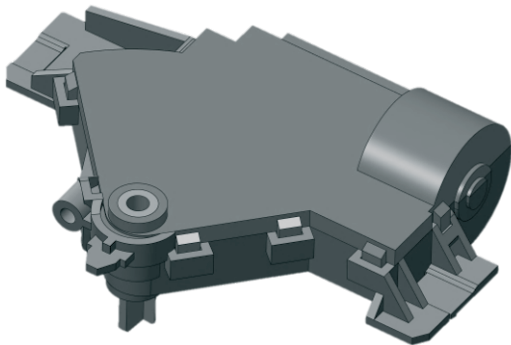




Absolute Position Rotary Stepper Actuator

Product Highlights



Typical Applications

Automotive, Industrial, Automation

Small and strong

Torque: >0.4 Nm

Low Weight: 93 g

Accurate positioning

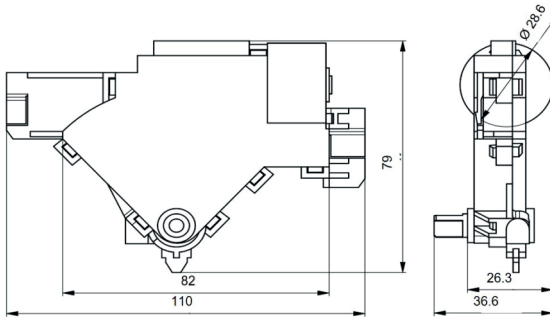
Full-step resolution: 0.042°

Positioning accuracy: $\pm 0.12^\circ$

Benefit

Low Weight, Lean Design, High Precision, Low Noise

Technical Data



Motor Type: 2 phase stepper motor

Dimensions: 82 x 79 x 28.6 mm

Weight: 93 g

Voltage Range: 9 ~ 16 V

Max. Current: 0.25 A

Temperature Range: $-40^\circ \sim +125^\circ\text{C}$

Torque (at 20°C and 12 V): >0.4 Nm

Hall sensor for closed loop operation

Torque-Speed Characteristic

